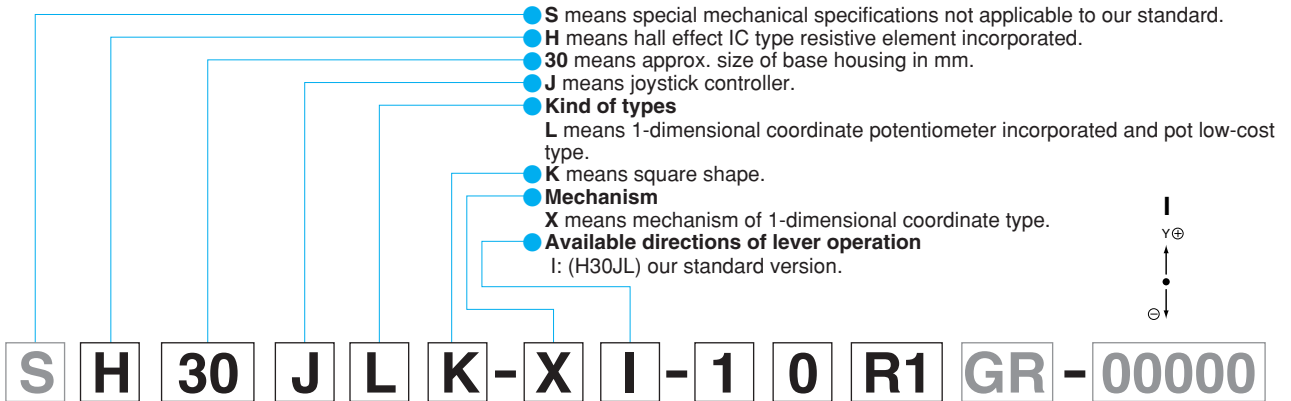


H30JL

New Product

Potentiometer with a hall effect IC type resistive element

Nomenclature



Number of potentiometers to be incorporated
 0...no potentiometer incorporated. 1...1 potentiometer incorporated.
 2...2 potentiometers incorporated 2X...dual cross output 2P...dual parallel output

Number of switches to be incorporated
 0...no switch incorporated. 1...1 switch incorporated. 2...2 switches incorporated.

With spring return device:
 R1 : with spring return device for 1-dimensional coordinate type.

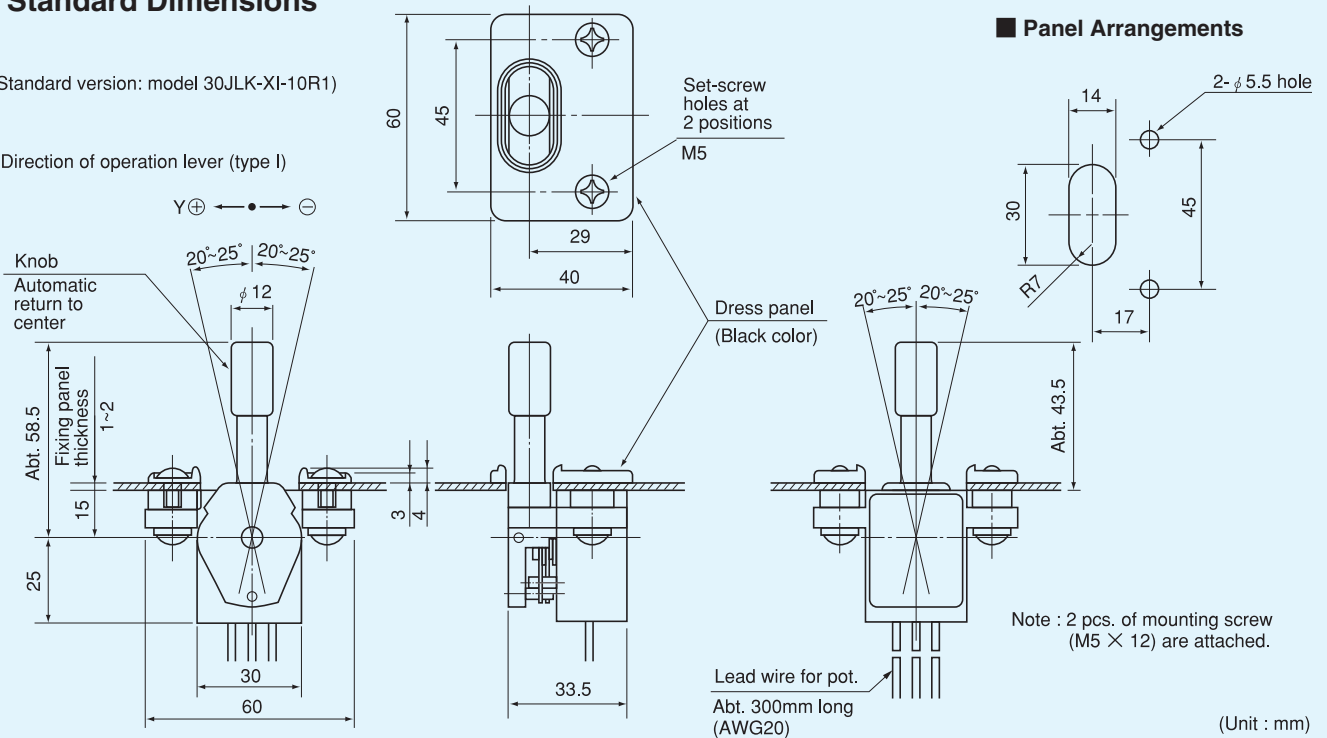
Mounting accessories:
 G : with dust proof rubber cover.
 R : with round shaped knob
 H : with flat shaped knob
 P : with sub-panel for mounting

Special part number:
 In case we produce customized products, we add 4-digit or 5-digit branch number.

Standard Dimensions

(Standard version: model 30JLK-XI-10R1)

Direction of operation lever (type I)





H30JLK-XI-10R1
(Standard)



H30JLK-XI-10R1GR
(With round shaped knob,
dust proof rubber cover)



H30JLK-XI-10R1H
(With flat shaped knob)

STANDARD SPECIFICATIONS

Mechanical performance

Controlling range of operating lever: 1-dimensional coordinate type
 $\pm 20^\circ \sim \pm 25^\circ$ from center position.
Operating force (Standard spring return device : Automatically return to center)
 Approx. 1~2.5N (100~250gf)
 (With rubber cover: Approx. 1~5.5N (100~550gf))
Operating temperature range: $-20^\circ\text{C} \sim +60^\circ\text{C}$
Vibration: 10~55Hz 98m/s²
Shock: 294m/s²
Life expectancy: Approx. 5,000,000 operations.
Mass: Approx. 100g

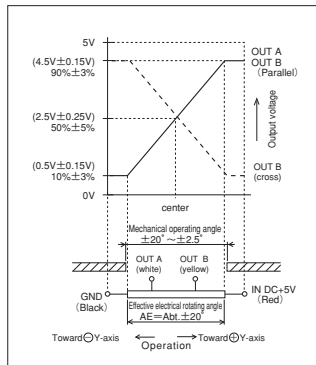
Electrical performance

Hall effect IC type resistive element incorporated

- Applied voltage: 5V $\pm 10\%$ D.C.
- Effective output: Approx. 0.5V~4.5V
- Independent linearity tolerance: $\pm 3\%$
- Load resistance: over 10K Ω

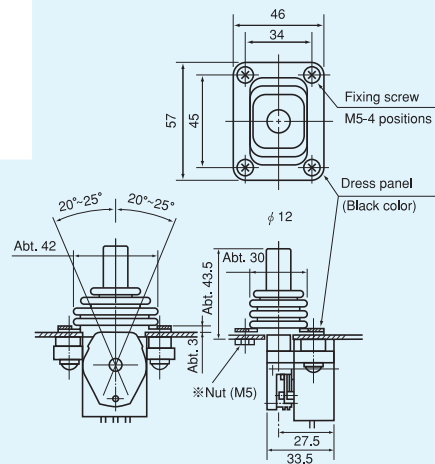
Dielectric strength: 1 minute at 250V.A.C.
Insulation resistance: Over 1000M Ω at 250V.D.C.
EMC durability: 50V/m

Output Characteristic and Terminal Connection Diagram



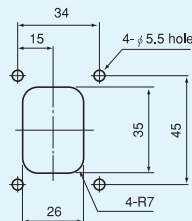
Dimensions of Optional Version

With dust-proof rubber cover



Note : 1) 4 pcs. of mounting screws (M5 \times 12) are attached.
 2) 2 pcs. of the attached nut (M5) * use for mounting of the one side.

Panel Arrangements for dust-proof rubber cover type



(Unit : mm)

Special Specifications Available

Please see page 47, a table of "Standard and Special Specifications Available".